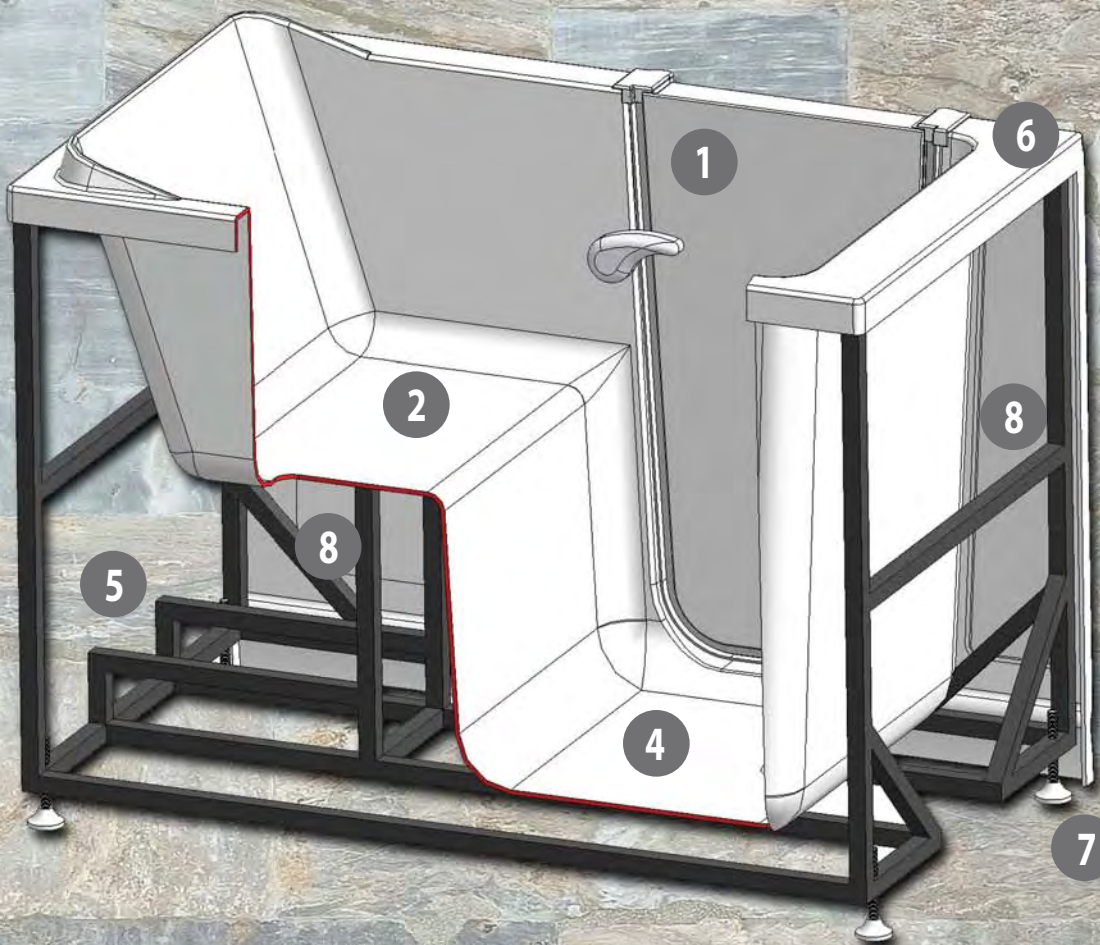


# CONSTRUCTION FEATURES

- 1 Superior waterproof door system
- 2 Chair-height contoured seat
- 3 Built-in safety bar (not shown)
- 4 Textured tub floor
- 5 Free standing metal support frame
- 6 Faucet deck
- 7 Five adjustable leveling feet
- 8 Faucet and pump access panels



*American Standard*<sup>®</sup>

WALK-IN BATH  
CONSTRUCTION